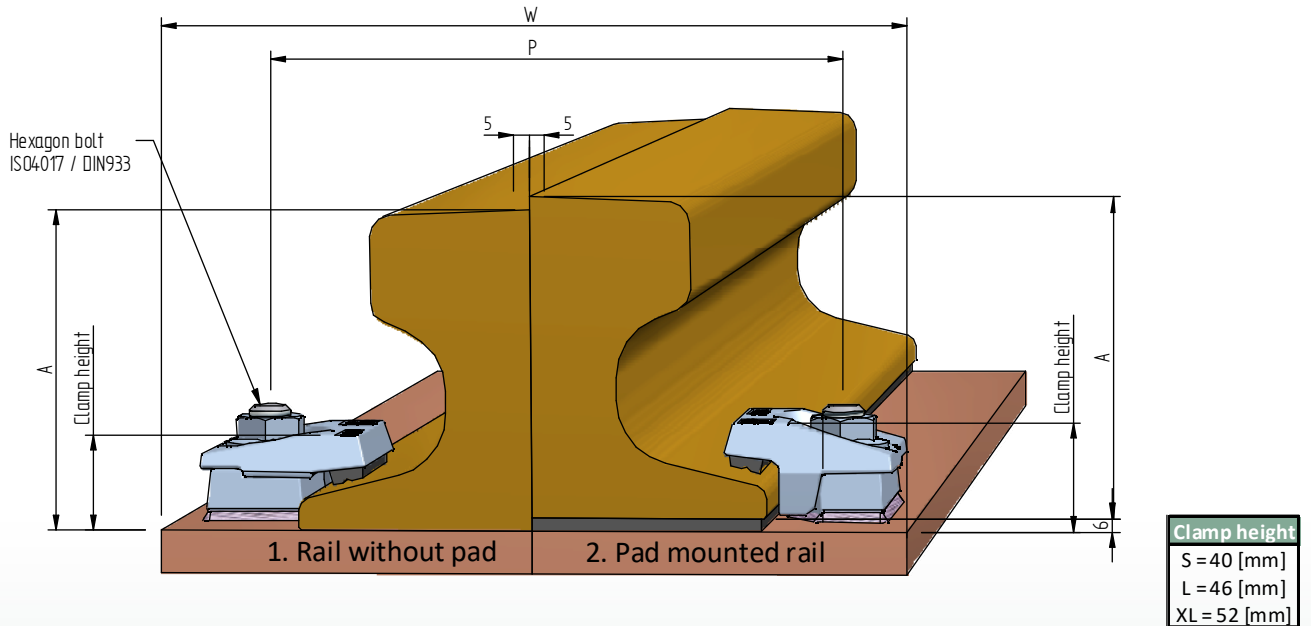


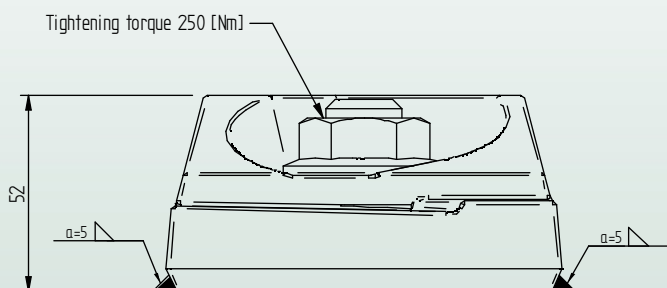
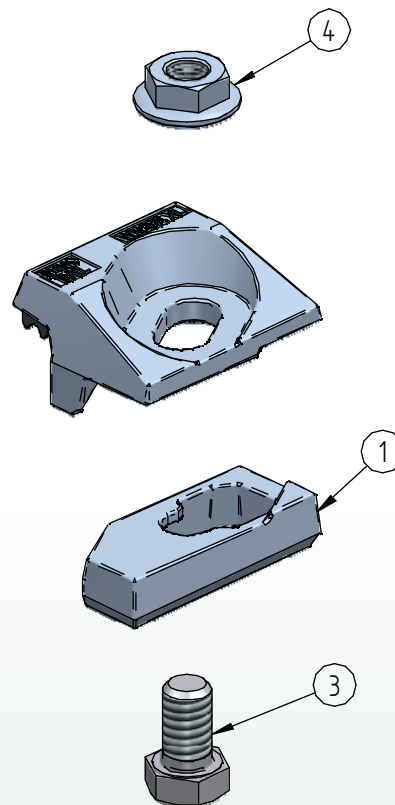
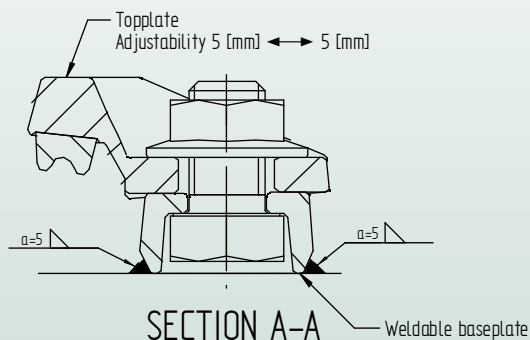
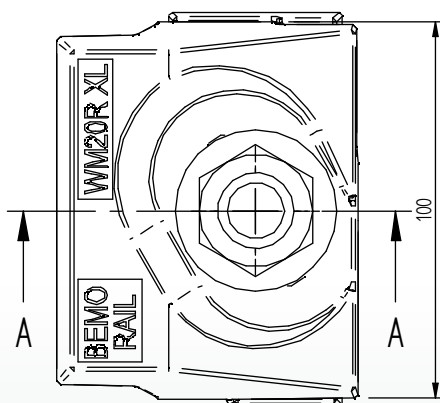
Adjustable weldable rail clip WM20R



	Inside distance between baseplates			V	Rail base + 10	[mm]
	Distance between bolts M20			P	Rail base + 56	[mm]
	Minimum width sole plate			W	Rail base + 120	[mm]
	F [mm]	C [mm]	A [mm]	1. Rail without pad		2. Pad mounted rail
A75	200	75	85	WM20R S		WM20R L
A100	200	100	95	WM20R S		WM20R L
A120	220	120	105	WM20R S		WM20R L
A150	220	150	150	WM20R S		WM20R L
AS86	150	101,6	152,4	WM20R L		WM20R XL
MRS51	127	64	127	WM20R S		WM20R L
MRS67	132	76	146	WM20R S		WM20R L
MRS87A	152,4	101,6	152,4	WM20R L		WM20R XL
PRI85r	152,4	101,6	152,4	WM20R L		WM20R XL
MRS125	180	120	180	WM20R L		WM20R XL
BSC101	165	100	150	WM20R L		WM20R XL
ISCR70	120	70	120	WM20R S		WM20R L
ISCR80	130	80	130	WM20R S		WM20R L
ISCR100	150	100	150	WM20R S		WM20R L
ISCR120	170	120	170	WM20R S		WM20R L
ISCR140	170	140	170	WM20R L		WM20R XL
QU70	120	70	120	WM20R S		WM20R L
QU80	130	80	130	WM20R S		WM20R L
QU100	150	100	150	WM20R S		WM20R L
QU120	170	120	170	WM20R S		WM20R L
49E1 (S49)	125	67	149	WM20R S		WM20R L
S54	125	67	154	WM20R S		WM20R L
46E3 (NP46)	120	72	142	WM20R S		WM20R L
50E2 (EB50T)	140	67	151	WM20R S		WM20R L
EB63	140	72	151	WM20R S		WM20R L
54E1 (UIC54)	140	70	159	WM20R S		WM20R L
60E1 (UIC60)	150	72	172	WM20R S		WM20R L

Specification	Grade 8.8 Hex. bolt	Welding: The entire base	Fillet welding $\nabla 5$	
Maximum side load	130 [kN]	Fixing bolts:	Hexagon headscrew ISO4017 / DIN933	
Tightening torque	300 [Nm]		Steel grade 8.8 HDG	

Adjustable weldable rail clip WM20R XL

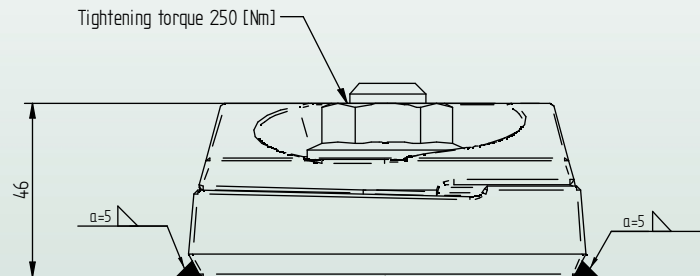
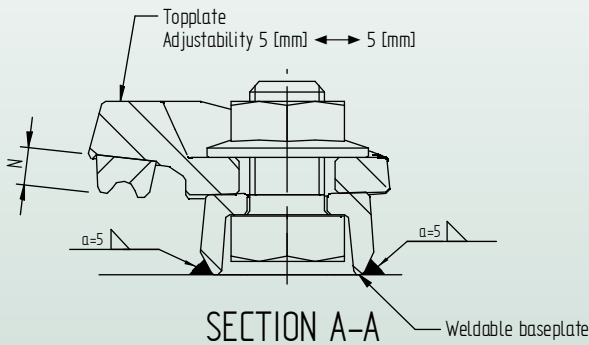
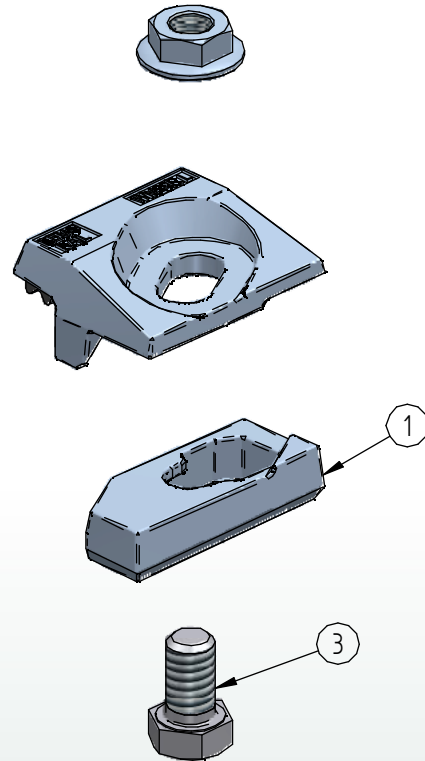
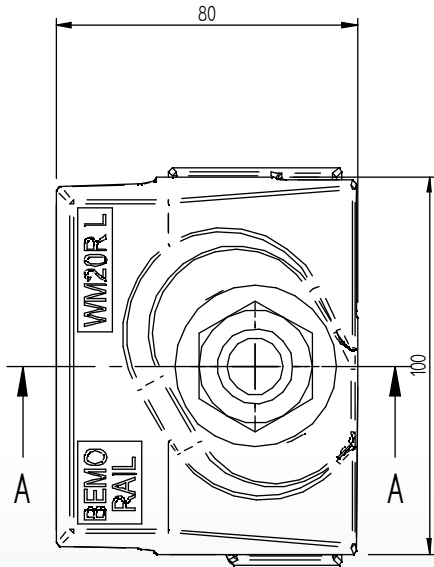


* Standard preservation is hot dip galvanized.
Other preservation options in agreement

Name	N
WM20R XL N10	10,0 [mm]
WM20R XL N12	12,0 [mm]
WM20R XL N14	14,0 [mm]

4	Low hexagon flange nut	Grade 8 HDG.	M20 ISO-metric	-	m = 0,059 [kg]
3	Hexagon head screw	8.8 HDG.	M20x35	DIN 933	
2	Weldable adjustable rail clamp cover XL with rubber nose	S355 J2*	WM20RC XL		m = 0,840 [kg]
1	Weldable adjustable rail clamp base	S355 J2 self coloured	WM20RB		m = 0,432 [kg]
Item	Description	Material	Type / Dimensions	Norm	Comments

Adjustable weldable rail clip WM20R L



Name	N
WM20R L N10	10,0 [mm]
WM20R L N12	12,0 [mm]
WM20R L N14	14,0 [mm]

* Standard preservation is hot dip galvanized.
Other preservation options in agreement

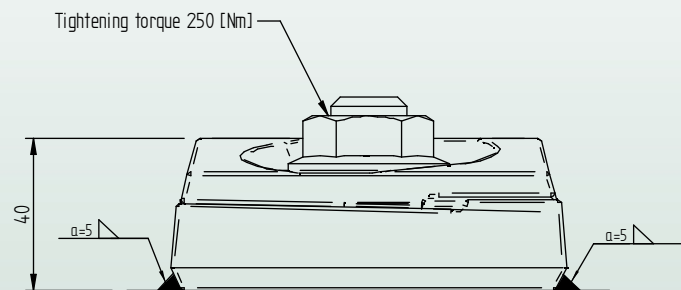
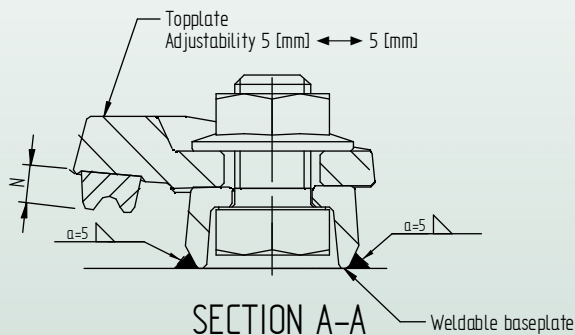
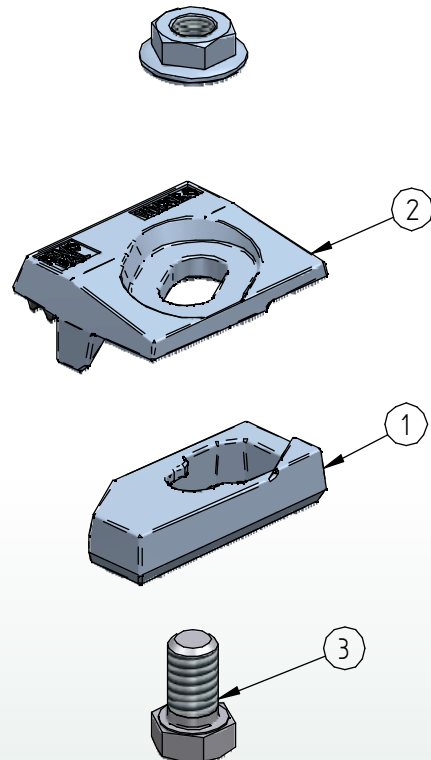
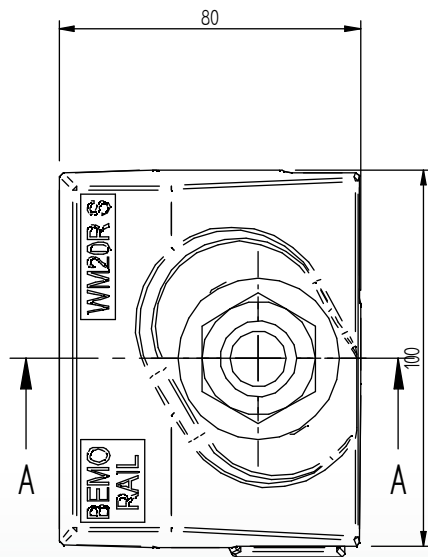
4	Low hexagon flange nut	Grade 8 HDG.	M20 ISO-metric	-	m = 0,059 [kg]
3	Hexagon head screw	8.8 HDG.	M20x35	DIN 933	
2	Weldable adjustable rail clamp cover L with rubber nose	S355 J2*	WM20RC L		m = 0,761 [kg]
1	Weldable adjustable rail clamp base	S355 J2 self coloured	WM20RB		m = 0,432 [kg]
Item	Description	Material	Type / Dimensions	Norm	Comments

BEMO RAIL

Debbemeerweg 59
1749 DK Warmenhuizen
The Netherlands

Tel.: +31 (0)226 425300
E-mail: info@bemorail.com
www.bemorail.com

Adjustable weldable rail clip WM20R S



* Standard preservation is hot dip galvanized.
Other preservation options in agreement

Name	N
WM20R S N10	10,0 [mm]
WM20R S N12	12,0 [mm]
WM20R S N14	14,0 [mm]

4	Low hexagon flange nut	Grade 8 HDG.	M20 ISO-metric	-	m = 0,059 [kg]
3	Hexagon head screw	8.8 HDG.	M20x35	DIN 933	
2	Weldable adjustable rail clamp cover S with rubber nose	S355 J2*	WM20RC S		m = 0,773 [kg]
1	Weldable adjustable rail clamp base	S355 J2 self coloured	WM20RB		m = 0,432 [kg]
Item	Description	Material	Type / Dimensions	Norm	Comments